

STORAGE & TRANSPORT | SHELVING

BULK PRODUCT SHELVING

ADJUSTABLE – EXPANDABLE – DURABLE



- Built for Strength and Durability – 900 lb. Capacity per shelf
- Shelves can be installed Sloped for gravity feed or Flat without requiring a different shelf type.
- Tool-Free Assembly – Adjustable in 2” Increments.
- Starter and Add-On Configuration.
- Black Powder-Coated with E-Coat – Corrosion, Chemical and Chip Resistant.

WWW.TECHNIBILT.COM

700 Technibilt Drive, Newton, NC 28658 | Phone: 800-351-2278 | Fax: 800-968-8934

BULK PRODUCT SHELVING

ADJUSTABLE – EXPANDABLE – DURABLE

Starter Unit



Add-On Unit



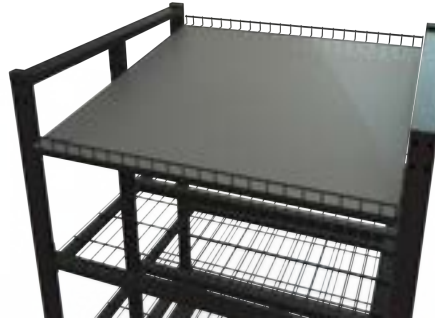
Part Number		Shelf Depth	Shelf Width	Unit Height	Number of Shelves
Starter Unit	Add-On Unit				
BCR36S-24	BCR36A-24	24	36	60	3
BCR367S-24	BCR367A-24	24	36	78	4
BCR48S-24	BCR48A-24	24	48	60	3
BCR487S-24	BCR487A-24	24	48	78	4
BCR36S	BCR36A	36	36	60	3
BCR48S	BCR48A	36	48	60	3
BCR367S	BCR367A	36	36	78	4
BCR487S	BCR487A	36	48	78	4

BULK PRODUCT SHELVING ACCESSORIES

Roller Mats



Glide Sheets



Label Holders



Dividers



Clear Front Rail



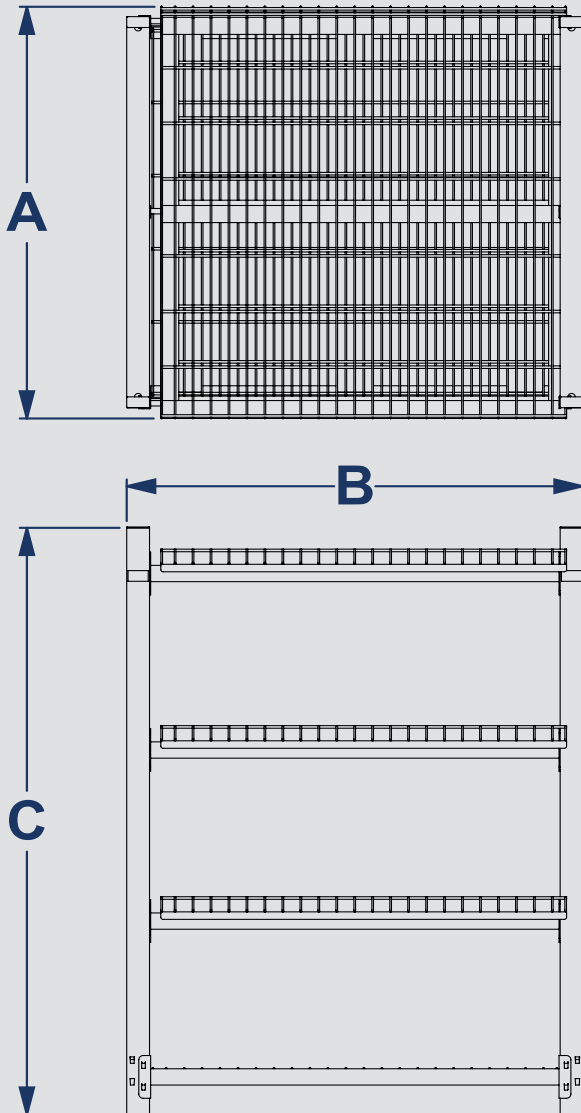
Tall Product Stop



	24 X 36	24 X 48	36 X 36	36 X 48
Glide Sheet	RKM-2536K	RKM-2548K	RKM-3736K	RKM-3748K
Roller Mat	N/A	N/A	SRMC3636-BLK	SRMC4836-BLK
Clear Front Rail	SFR-336-H	SFR-348-H	SFR-336-H	SFR-348-H
Tall Product Stop	BCR36G	BCR48G	BCR36G	BCR48G
Roller Mat Divider	N/A	N/A	SDM336-BLK	SDM336-BLK
Standard Divider	BCR24DV	BCR24DV	BCR36DV	BCR36DV
Standard Shelf Label Holder	CFLHB36B	CFLHB48B	CFLHB36B	CFLHB48B
Bottom Magnetic Label Holder	BCRLHM36B	BCRLHM48B	BCRLHM36B	BCRLHM48B

BULK PRODUCT SHELVING

ADJUSTABLE – EXPANDABLE – DURABLE



ACTUAL OUTSIDE DIMENSIONS

Part Number	A	B	C
BCR36S-24	26	40	60
BCR36A-24	26	38	60
BCR367S-24	26	40	78
BCR367A-24	26	38	78
BCR48S-24	26	52	60
BCR48A-24	26	50	60
BCR487S-24	26	52	78
BCR487A-24	26	50	78
BCR36S	38	40	60
BCR36A	38	38	60
BCR367S	38	40	78
BCR367A	38	38	78
BCR48S	38	52	60
BCR48A	38	50	60
BCR487S	38	52	78
BCR487A	38	50	78

Contact your local sales rep for more information!